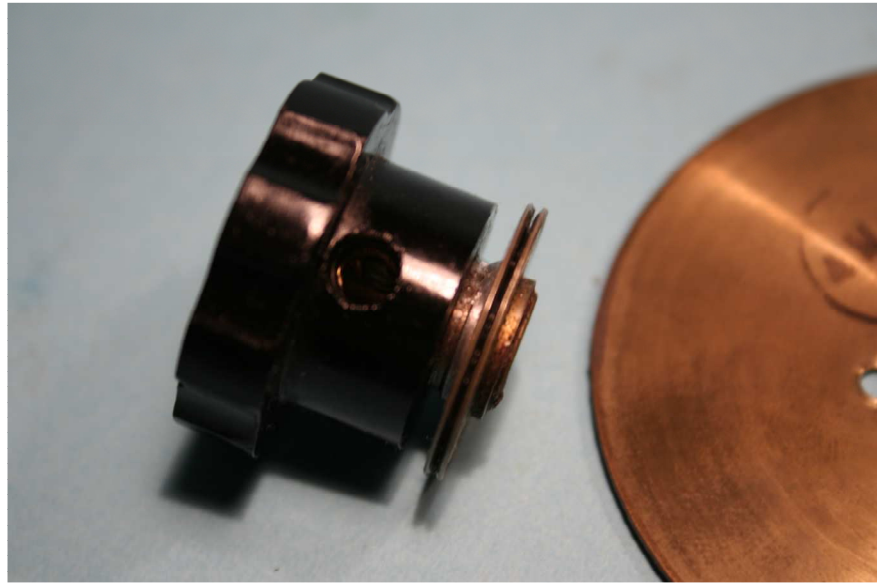
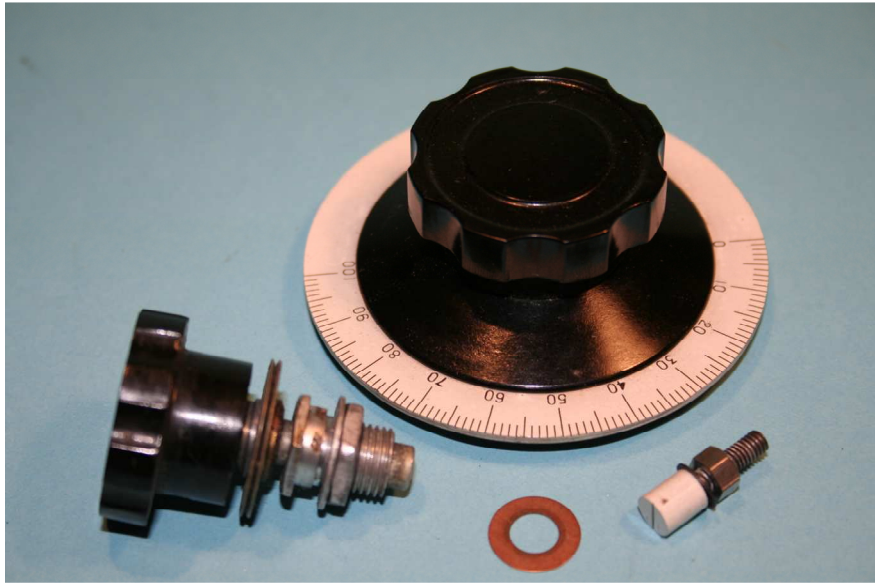
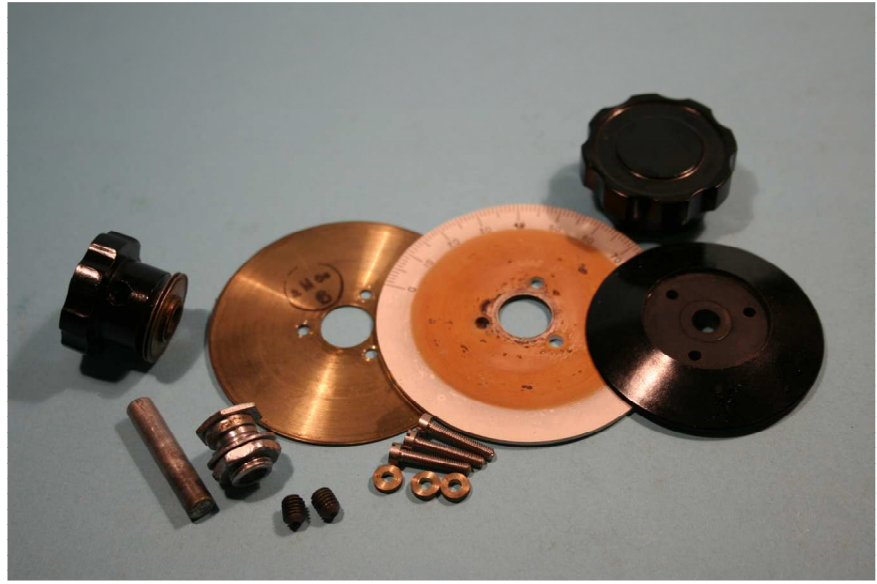
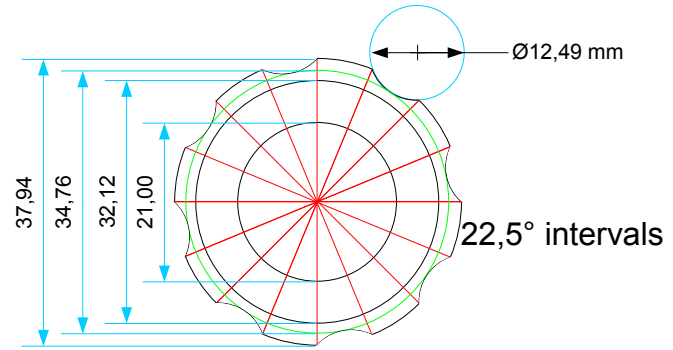
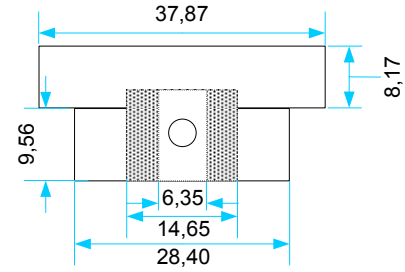


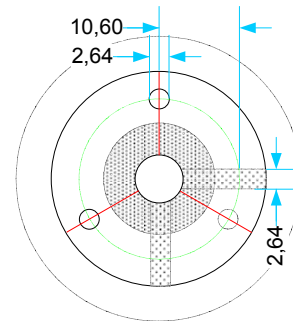


The Muirhead D133A Slow Motion Drive for a.o. Whaddon MK VII – “Paraset”





Top view knob

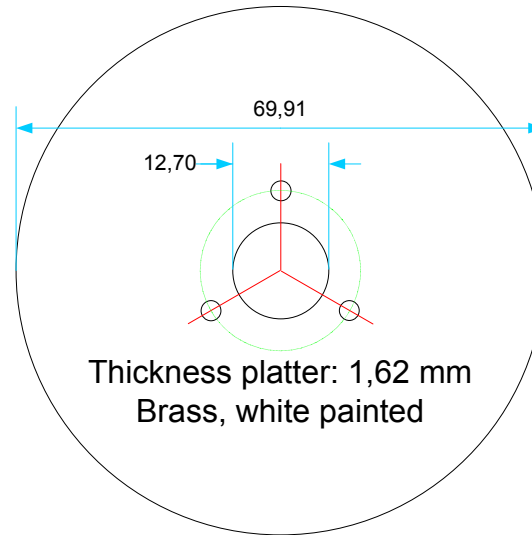
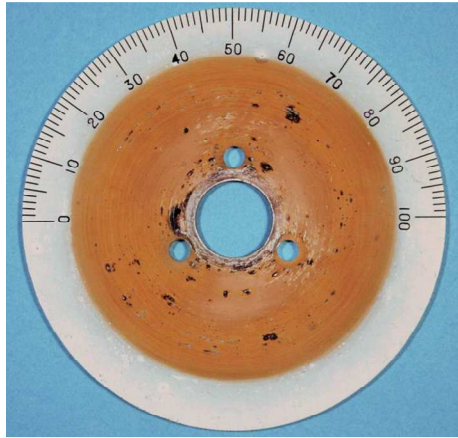


Bottom view knob

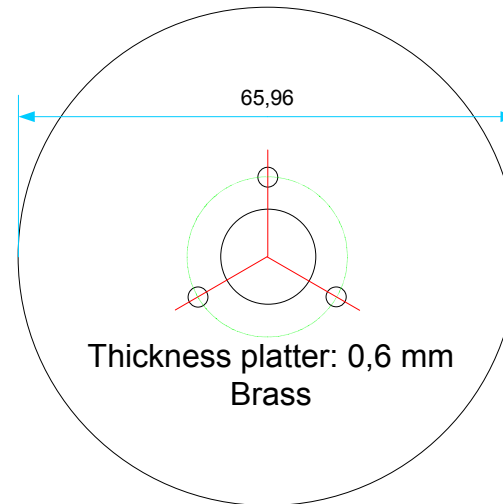
Holes:
3 + 2 x 2,64 mm
3 holes: 120 ° angle
BA6 thread
Centre hole: 6,35 mm

Parasetguy – NL13265
Henk van Zwam
© 2010 – Velp – GLD
The Netherlands
Muirhead D133A Dial for Paraset

Parasetguy – NL13265
Henk van Zwam
© 2010 – Velp – GLD
The Netherlands
Muirhead D133A Dial for Paraset



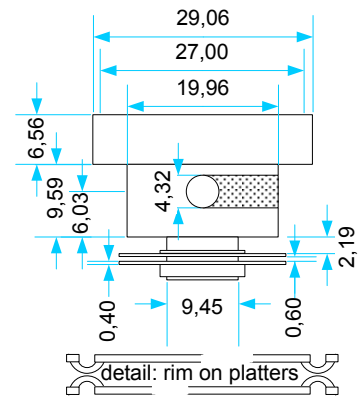
Scale platter



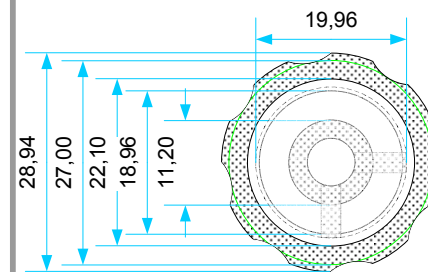
Drive platter

Parasetguy – NL13265
Henk van Zwam
© 2010 – Velp – GLD
The Netherlands
Muirhead D133A Dial for Paraset

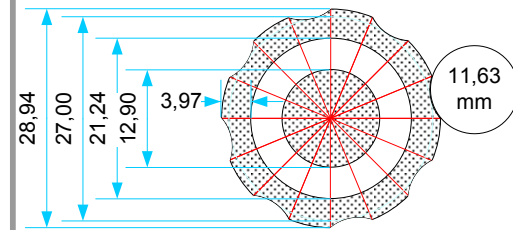
Knob, slow-motion drive



detail: rim on platters



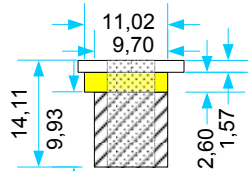
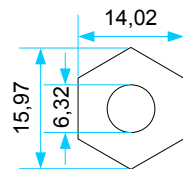
Bottom view knob



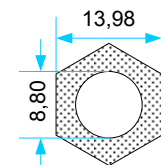
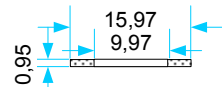
Top view knob



Bearing, aluminium shaft in centre, but: exentric ring for adjustment
BA? 26G – 9,74 mm Φ



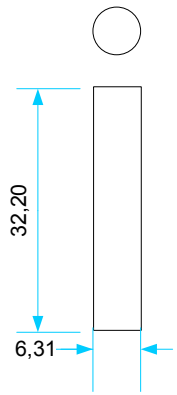
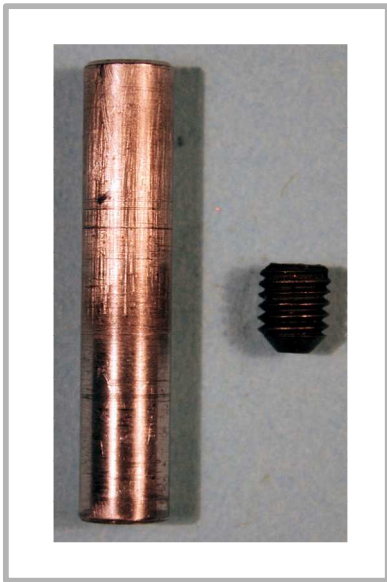
Washer, aluminium



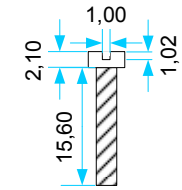
Nut, aluminium



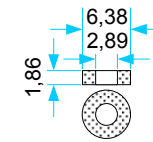
Parasetguy – NL13265
Henk van Zwam
© 2010 – Velp – GLD
The Netherlands
Muirhead D133A Dial for Paraset



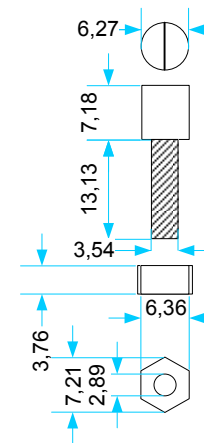
Axel shaft



Bolt, 3 x
BA6 – 48G 3/32"



Spacer 3 x
Brass



Pointer
BA4 – 40G 3/32"